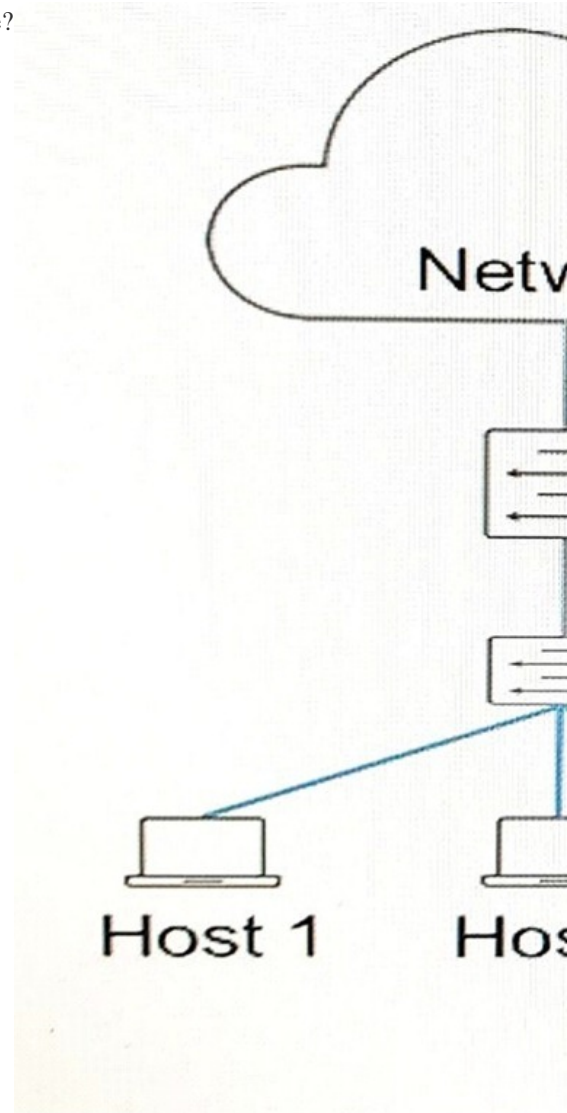


## [Nov-2017 Dumps PassLeader New 80q JN0-647 Exam Questions with Free PDF Study Guide Download (Section B)

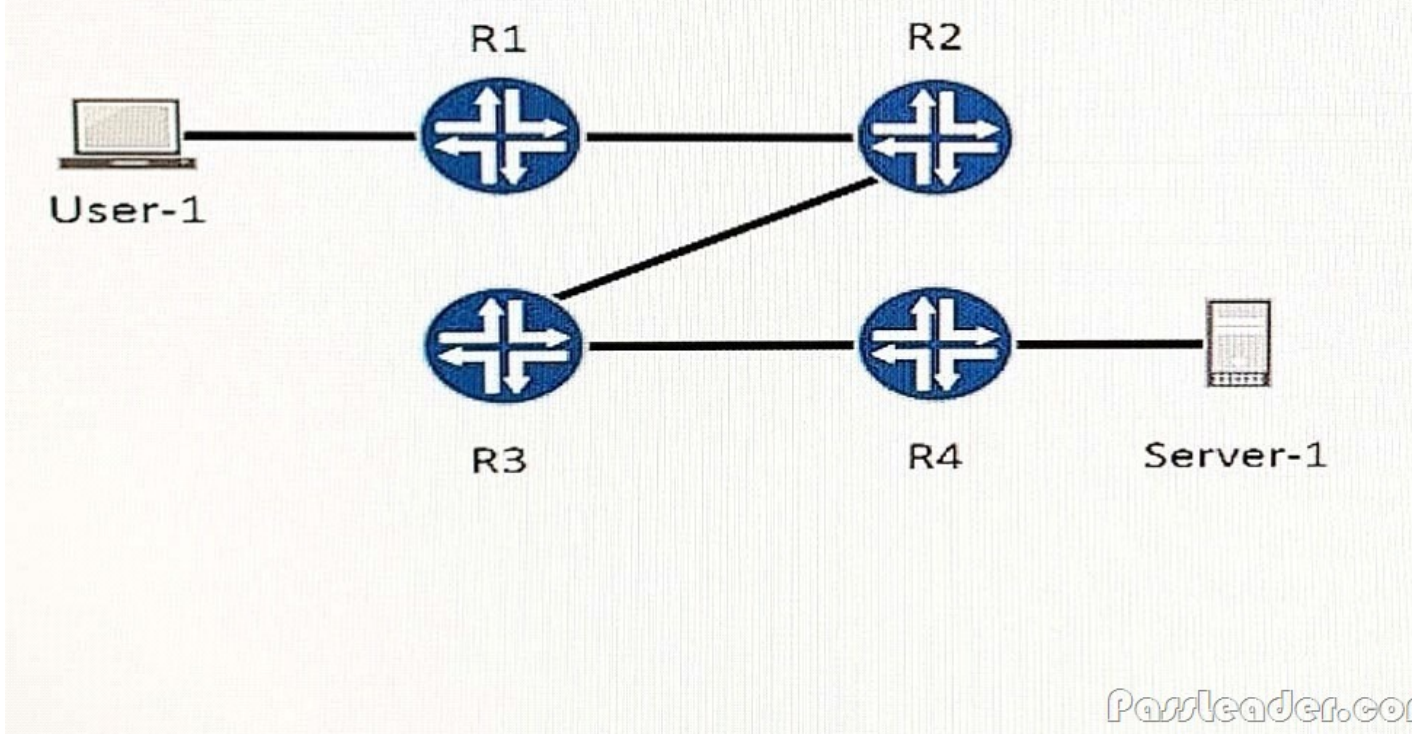
New Updated JN0-647 Exam Questions from PassLeader JN0-647 PDF dumps! Welcome to download the newest PassLeader JN0-647 VCE dumps: <https://www.passleader.com/jn0-647.html> (80 Q&As) Keywords: JN0-647 exam dumps, JN0-647 exam questions, JN0-647 VCE dumps, JN0-647 PDF dumps, JN0-647 practice tests, JN0-647 study guide, JN0-647 braindumps, Juniper Networks Certified Professional Enterprise Routing and Switching (JNCIP-ENT) Exam P.S. New JN0-647 dumps PDF: [https://drive.google.com/open?id=0B-ob6L\\_QjGLpejBJUUI1X2NuU3M](https://drive.google.com/open?id=0B-ob6L_QjGLpejBJUUI1X2NuU3M) P.S. New JN0-102 dumps PDF: [https://drive.google.com/open?id=0B-ob6L\\_QjGLpSmYwaTA1elptOUE](https://drive.google.com/open?id=0B-ob6L_QjGLpSmYwaTA1elptOUE) P.S. New JN0-347 dumps PDF: [https://drive.google.com/open?id=0B-ob6L\\_QjGLpYUVOTkxMmFWLUU](https://drive.google.com/open?id=0B-ob6L_QjGLpYUVOTkxMmFWLUU) QUESTION 31 You have deployed the access control configuration to the distribution switch. Referring to the exhibit, which statement is true?



```
{master: 0} [edit]
user@switch#show protocols dot1x
authenticator {
  interface {
    ge-0/0/1.0 {
      supplicant single;
    }
  }
}
```

Passleader.com

A. All hosts connected to the access switch require authentication to access the network.  
B. All hosts connected to the access switch will have access to the network after one host authenticates.  
C. All hosts connected to the access switch will have access to the network without authentication.  
D. Only the first host to authenticate will have access to the network, other hosts will be blocked.  
Answer: B  
QUESTION 32 Referring to the exhibit, traffic from User-1 is being forwarded to Server-1 with DSCP values that must be written. You must maintain the rewritten DSCP values throughout the network. Which statement is correct in this scenario?



A. At a minimum, you must rewrite the DSCP values on R1.  
B. At a minimum, you must rewrite the DSCP values on R1 and R4.  
C. At a minimum, you must rewrite the DSCP values on R1, R2, and R3.  
D. At a minimum, you must rewrite the DSCP values on R4.  
Answer: D  
QUESTION 33 You are adding a Junos Fusion satellite device but one cascade port is not coming on line. Referring to the exhibit, what would cause this problem?

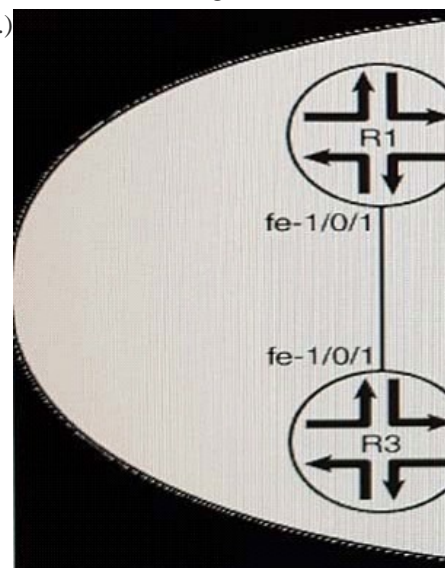
```
user@switch > show configuration chassis satellite-management
fpc 110 {
  alias RLC110;
  cascade-ports [xe-7/2/0 xe8/2/1];
  uplink-failure-detection{
    candidate-uplink-policy UFD;
  }
}
single-home {
  satellite all;
}

user@switch > show configuration policy-options satellite-policies
port-group-alias EX4300{
  pic2 port [0 1 ];
}
candidate-uplink-port-policy UFD{
  term 1 {
    from {
      product-model EX4300;
      uplink-port-group EX4300;
      minimum-links 1;
      holddown 20;
    }
  }
}

user@switch> show chassis satellite

Ports
Alias      Slot    State    Ports      State      Total/Up
RLC110     110    Online   xe-7/2/0   online     50/4
           xe-8/2/1 down
```

- A. The satellite device is not an EX4300. B. The cascade ports need to be on the same line card. C. The FPC number must match the FPC connecting to the satellite device. D. Interface xe-8/2/1 is in a link down state. Answer: D
- QUESTION 34 In Layer 2 environment where 802.1X is deployed with its default parameters on EX Series, which two statements are correct? (Choose two.)
- A. RADIUS authentication requests are sent from authenticator to the authentication server. B. DHCP traffic from supplicants is denied by default through the authenticator. C. RADIUS authentication requests are sent from the supplicant to the authentication server. D. DHCP traffic from supplicants is permitted by default through the authenticator. Answer: AB
- QUESTION 35 Your network is experiencing congestion across the link between R2 and R3. You must make changes to alleviate traffic congestion from R3 to R2. Referring to the exhibit, which two commands would accomplish this task? (Choose two.)



- A. [edit protocol ospf]user@R1# set reference-bandwidth 10g B. [edit protocol ospf]user@R3# set reference-bandwidth 10g C. [edit protocols ospf area 0.0.0.0]user@R1# set interface fe-1/0/1 metric 5 D. [edit protocols ospf area 0.0.0.0]user@R3# set

interface fe-1/0/1 metric 5 Answer: BD QUESTION 36 Which two statements are correct about using LLDP on Junos devices? (Choose two.) A. LLDP operates on Layer 2 and Layer 3 interfaces. B. LLDP can interoperate with the Cisco Discovery Protocol (CDP). C. LLDP is enabled on all devices by default. D. LLDP operates on Layer 2 interfaces. Answer: AC QUESTION 37 You have certainly implemented the configuration shown in the exhibit. After committing these changes, the community devices connected to AS-1 are not able to communicate with the appropriate community devices connected to AS-2. What must be done to allow these community devices to communicate? A. You must configure an isolation VLAN ID under the pvlan-200 on the AS2. B. You must configure the ge-0/0/10 interface on AS1 AS THE P VLAN on both switches. C. You must configure an isolation VLAN ID under the VLAN 200 ON both switches. D. You must configure the ge-0/0/12 interface on both switches as P VLAN trunks. Answer: D QUESTION 38 Which two statements are true regarding the next hop attribute? (Choose two.) A. It is not changed when sent across EBGP sessions. B. It is changed to self for IBGP routes learned from EBGP. C. It is not changed for IBGP routes learned from EBGP. D. It is changed by default when sent across EBGP sessions. Answer: CD QUESTION 39 Your enterprise network is providing layer 2 connectivity between remote-sites using Q-in-Q tunneling. A customer wants to ensure their connection through your network is also participating in their spanning tree topology. In this scenario, which solution must be used? A. You must configure the Q-in-Q tunnel to use L2PT to tunnel STP packets. B. You must configure the same isolation ID on both sides of the tunnel. C. You must configure spanning tree on the interfaces connected to the customer's sites. D. You must configure spanning tree to tunnel packets. Answer: A QUESTION 40 You want to deploy MSTP with multiple regions. Each region should have a unique root bridge to accommodate a set of VLANs. Which three configuration elements must be watched on switches participating in this deployment scenario? (Choose three.) A. MSTI to VLAN mapping B. revision level C. CST BPDU parameters D. configuration name E. bridge priority Answer: ABD QUESTION 41 Which policy statement will be applied to neighbor 172.16.4.2? A. policy-statement all and policy-statement agg B. policy-statement agg C. policy-statement all and policy-statement at D. policy-statement at Answer: A QUESTION 42 You are attempting to configure BGP peering to a new service provider. The BGP peering state is stuck in the active state. What are two reasons for this happening? (Choose two.) A. The local autonomous system number is not configured. B. The origin ID is not configured. C. The peer IP address is incorrect. D. The peer autonomous number is incorrect. Answer: C QUESTION 43 You manage your company's enterprise network using EX series switches. Your company wants to use Q-in-Q tunneling to connect remote customer sites together. Which statement is correct about the scenario? A. You must enable L2PT to tunnel Layer 2 protocol traffic. B. The outside Layer 2 frame is popped by the penultimate switch. C. Customer traffic is tunneled through the network using the C VLAN ID. D. The default Ethernet value is 0x9100. Answer: A QUESTION 44 Which two statements about VSTP on EX series switches are correct? (Choose two.) A. All VLANs beyond the first 64 will not be supported by VSTP. B. VSTP automatically assigns each VLAN to one spanning tree instance. C. VSTP must be used to interoperate with MVRP. D. VSTP must be used to interoperate with PVST+. Answer: BD QUESTION 45 R2 is exporting the route for Server-1 as a Type 2 external route and R6 is exporting the route for Server-1 as a Type 1 external route in OSPF. Which path is taken to reach Server-1 from user1? A. R1>R3>R6 B. R1>R2 C. R1>R4>R6 D. R1>R2>R4>R6 Answer: D QUESTION 46 Which statement is correct regarding the isolated ports? A. Isolated ports are trunk ports that have Layer 2 connectivity with all other ports. B. Isolated ports are access ports that only have Layer 2 connectivity with other isolated ports. C. Isolated ports are access ports that only have Layer 2 connectivity with promiscuous ports. D. Isolated ports are trunk ports that have Layer 2 connectivity with all community ports. Answer: C QUESTION 47 Your network provider supports multicast traffic but your provider network does not. You want to allow multicast hosts outside of your network to receive multicast traffic sourced within your network. How would you satisfy this requirement? A. Use MSDP peering with your provider. B. Use AutoVPN to connect to the remote hosts. C. Use an MP-BGP session to your provider to pass multicast traffic. D. Use automatic multicast tunnel gateway at the edge of your network. Answer: D QUESTION 48 Referring to the exhibit, traffic handled by the s-1 scheduler is out of profile. Assuming bandwidth is available in this scenario, which statement is correct?

```
[edit class-of-service schedulers]
user@router# show
s-1 {
    transmit-rate percent 30;
    priority high;
}
s-2 {
    transmit -rate percent 5;
    priority medium-high;
}
s-3 {
    transmit-rate percent 30;
    priority medium-low;
}
s-4 {
    transmit-rate percent 35;
    priority low;
}
```

Passleader.com

A. Traffic handled by the s-1 scheduler is serviced immediately after traffic being serviced by the s-4 scheduler.  
B. Traffic handled by the s-1 scheduler is serviced immediately before traffic being serviced by the s-4 scheduler.  
C. Traffic handled by the s-1 scheduler is serviced immediately before traffic being serviced by the s-2 scheduler.  
D. Traffic handled by the s-1 scheduler is serviced immediately after traffic being serviced by the s-2 scheduler.  
Answer: D QUESTION 49 Referring to the exhibit, which set of interfaces will be registered by MVRP?

```
user@switch> show configuration protocols mvrp
interface all;
```

```
user@switch> show configuration interfaces
ge-0/0/1 {
    unit 0 {
        family ethernet-switching {
            port-mode trunk;
            vlan {
                members [vlan-308 vlan-312];
            }
        }
    }
}
ge-0/0/2 {
    unit 0 {
        family ethernet-switching {
            port-mode trunk;
        }
    }
}
ge-0/1/0 {
    unit 0 {
        family ethernet-switching {
            port-mode access;
            vlan {
                members vlan-300;
            }
        }
    }
}
ge-0/1/1 {
    unit 0 {
        family Ethernet-switching {
            vlan {
                members vlan -300;
            }
        }
    }
}
ae0 {
```

Passleader.com

```
unit 0 {
  family Ethernet-switching {
    port-mode trunk;
    vlan {
      members [vlan-300 vlan 308];
    }
  }
}
ae1 {
  unit 0 {
    family ethernet-switching {
      port-mode trunk;
    }
  }
}
```

Passleader.com

A. ge-0/1/0, ge-0/1/1, ae0, ae1B. ge-0/1/0, ge-0/0/2, ae0, ae1C. ge-0/0/1, ge-0/1/1, ae0, ae1D. ge-0/0/1, ge-0/0/2, ae0, ae1  
Answer: D QUESTION 50 You are configuring a new BGP session between router1 and router2. The session does not establish. Referring to the exhibit, what must be done to establish this session?

```
[edit]
user@router1# show protocols bgp
group to-router2 {
  type internal;
  local-as 65512;
  neighbor 192.168.1.2 {
    peer-as 65512;
  }
}

[edit]
user@router1# show routing -options
```

Passleader.com

```
[edit]
user@router1# run show bgp summary
Groups: 1 Peers: 1 Down peers: 1
Table      Tot Paths  Act Paths  Suppressed  History  Damp State
Pending
inet. 0      0          0           0         0         0
Peer      AS         inPkt      OutPkt      OutQ      Flaps Last
Up/Dwn State | #Active/ Received/ Accepted/ Damped...
192.168.1.2 | 7: 58 Active 65512      0          6         0
```

Passleader.com

[edit]

user@router1# run show log messages

Jun 13 16:29:42 router1 flowd\_octeon\_hm: pconn\_client\_connect: Failed to connect to the server after 0 retries

Jun 13 16:29:44 router1 rpd [3348]: bgp\_recv: peer 192.168.1.2 (Internal AS 65512) : received unexpected EOF

Jun 13 16:29:47 router1 flowd\_octeon\_hm: pconn\_client\_connect: Failed to connect to the server after 0 retries

Jun 13 16:29:57 router1 las time message repeated 2 times

Jun 13 16:30:00 router1 cron [3383] : (root) CMD (newsyslog)

Jun 13 16:30:00 router1 cron [3384] : (root) CMD ( /user/libexec/atrun)

Jun 13 16:30:02 router1 flowd\_octeon\_hm: pconn\_client\_connect: Failed to connect to the server after 0 retries

Jun 13 16:30:07 router1 flowd\_octeon\_hm: pconn\_client\_connect: Failed to connect to the server after 0 retries

Jun 13 16:30:12 router1 flowd\_octeon\_hm: pconn\_client\_connect: Failed to connect to the server after 0 retries

Jun 13 16:30:16 router1 rpd [3348]: bgp\_recv: peer 192.168.1.2 (Internal AS 65512) : received unexpected EOF

Jun 13 16:30:17 router1 flowd\_octeon\_hm: pconn\_client\_connect: Failed to connect to the server after 0 retries

Jun 13 16:30: 32 router1 last message repeated 3 times

Jun 13 16:30:37 router1 flowd\_octeon\_hm: pconn\_client\_connect: Failed to connect to the server after 0 retries

Jun 13 16:30:40 router1 rpd [3348]: bgp\_listen\_accept: Connection attempt from unconfigured neighbor: 172.17.20.2+62931

Jun 13 16:30:42 router1 flowd\_octeon\_hm: pconn\_client\_connect: Failed to connect to connect to the server after 0 retries

Jun 13 16:30:52 router1 last message repeated 2 times

Jun 13 16:30:57 router1 flowd\_octeon\_hm: pconn\_client\_connect: Failed to connect to connect to the server after 0 retries

Jun 13 16:31:02 router1 flowd\_octeon\_hm: pconn\_client\_connect: Failed to connect to connect to the server after 0 retries

Jun 13 16:31:12 router1 last message repeated 2 times

Passleader.com

```
[edit]
user@router2# show protocols bgp
group to-router1 {
  type internal;
  family inet {
    unicast;
  }
  neighbor 192.168.1.1;
}
```

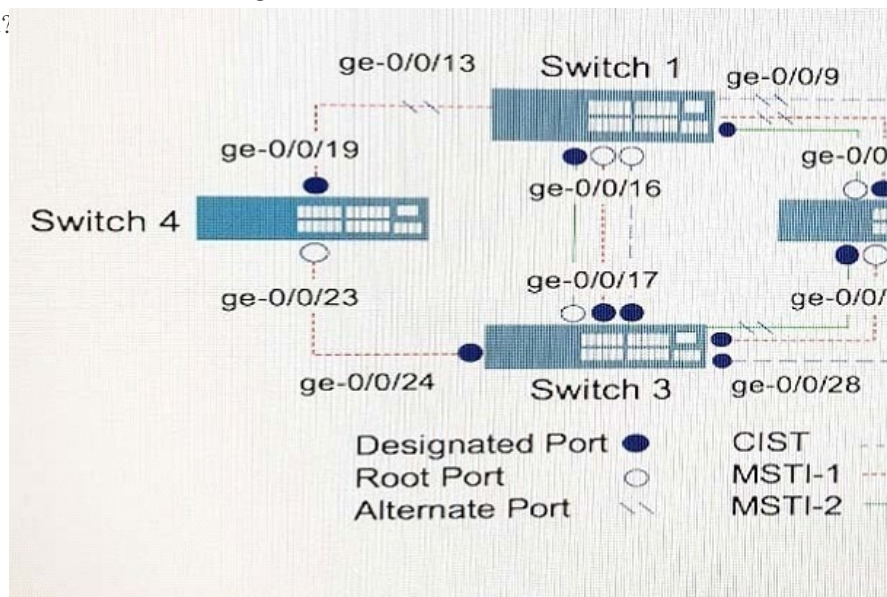
```
[edit]
user@router2# show routing -options
autonomous-system 65512;
```

```
[edit]
user@router2# run show bgp summary
Groups: 1 Peers: 1 Down peers: 1
Table Tot Paths Act Paths Suppressed History Damp State
Pending
inet.0 0 0 0 0 0 0

Peer AS inPkt OutPkt OutQ Flaps Last
Up/Dwn State | #Active/ Received/ Accepted/ Damped...
192.168.1.1 65512 0 12 0 0
20: 11 Active
```

Passleader.com

A. You must define the peer-as number on router2. B. You must define the autonomous-system number under the [edit routing-options] hierarchy on router1. C. You must specify type as external on both devices. D. You must specify the local-address on both devices. Answer: D  
 QUESTION 51 Which router ID is correct for OSPFv3? A. 0.0.0.0 B. 2001:123:6::1 C. ::172.16.1.1 D. 172.16.1.1 Answer: A  
 QUESTION 52 Which type of BGP is used to peer with a different autonomous system? A. external B. classless C. dynamic D. static Answer: A  
 QUESTION 53 Referring to the exhibit, what is the minimum number of MSTP regions where the topology would be implemented?



A. 3 B. 1 C. 2 D. 0 Answer: A  
 QUESTION 54 You are asked to advertise the 1.0.0.0/8 and 1.5.5.5/32 routes to your 10.254.32.2 BGP peer. Referring to the exhibit, which configuration change would satisfy this requirement?



```
user@router> show route advertising-protocol bgp 10.254.32.2

inet.0: 1400327 destinations, 14000327 routes (1323967 active,
0 holddown, 1 hidden)
Prefix          Nexthop          MED  Lc1pref          AS path
*1.5.5.5/32      Self              MED  Lc1pref          81 I

[edit]
user@router# show policy-options policy-statement export-to-as81
term 1 {
  from {
    route-filer 1.0.0.0/8 longer;
  }
  then accept
}
term 2 {
  then reject;
}

[edit]
user@router# show policy-options policy-statement reject-routes
term 1 {
  from {
    route-filter 1.0.0.0/8 exact;
  }
  then reject;
}

[edit]
user@router# show protocol bgp
export reject-routes;
group ebgp {
  export export-to-as81;
  peer-as 81;
  neighbor 10.254.32.2 {
    family inet {
      unicast;
    }
  }
}
```

Passleader.com

A. Remove the export-to-as81 policy.B. Remove the export-to-as81 policy to or longer.C. Remove the reject-routes policy.D. Remove the reject-routes policy to longer. Answer: C QUESTION 55Which protocol is used for port level access control and authentication? A. MD5B. IPsecC. 802.1XD. AES Answer: C QUESTION 56Which two actions would solve this problem? (Choose two.) A. Set the BGP group type to internal.B. Set the BGP group peer-AA to 65501.C. Set the BGP group discussion to internal.D. Set the BGP group peer-AA to 65502. Answer: AB QUESTION 57When configuring class of service, what would you use to allocate bandwidth to a forwarding class? A. buffer depthB. transmit rateC. bandwidthD. speed Answer: B QUESTION 58A packet enters the router and is subject to ingress's processing. In which order is the packet processed? A. Policer > BA classifier > multifield classifier > forwarding policyB. Multifield classifier > BA classifier > policer > forwarding policyC. BA classifier > multifield classifier > policer > forwarding policyD. Forwarding policy > BA classifier > multifield classifier > policer Answer: C QUESTION 59Referring to the exhibit, which two statements are true? (Choose two.)

```
user@ switch> show configuration
interfaces {
  ge-0/0/1 {
    unit 0 {
      description "interface 1";
      family ethernet-switching {
        vlan {
          members v10;
        }
      }
    }
  }
}

ge-0/0/2
  unit 0 {
    description "interface 2";
    family ethernet-switching {
      interface-mode access;
      vlan {
        members v20;
      }
    }
  }
}

ge-0/0/3 {
  native-vlan- id 1;
  unit 0 {
    description "interface 3":
    family Ethernet-switching {
      interface-mode trunk;
      vlan {
        members [1 v10 v20];
      }
    }
  }
}
}
vlans {
```

Passleader.com

```
v10 {
  description "VLAN 10";
  vlan-id 10;
}
v20 {
  description "VLAN 20";
  vlan-id 20;
}
}
```

Passleader.com

A. Untagged control packets entering interface ge-0/0/1 are not recognized. B. Untagged data packets entering interface ge-0/0/2 will be tagged with VLAN ID 20. C. Untagged control packets entering interface ge-0/0/3 are passed without a VLAN tag. D. Untagged data packets entering interface ge-0/0/3 will be tagged with VLAN ID 1. Answer: BD QUESTION 60 When configuring class of service, what would you use to allocate bandwidth to a forwarding class? A. Buffer depth B. Transmit rate C. Bandwidth D. Speed Answer: B Download the newest PassLeader JN0-647 dumps from passleader.com now! 100% Pass Guarantee! JN0-647 PDF dumps & JN0-647 VCE dumps: <https://www.passleader.com/jn0-647.html> (80 Q&As) (New Questions Are 100% Available and Wrong Answers Have Been Corrected! Free VCE simulator!) P.S. New JN0-647 dumps PDF: [https://drive.google.com/open?id=0B-ob6L\\_QjGLpejBJUUI1X2NuU3M](https://drive.google.com/open?id=0B-ob6L_QjGLpejBJUUI1X2NuU3M) P.S. New JN0-102 dumps PDF: [https://drive.google.com/open?id=0B-ob6L\\_QjGLpSmYwaTA1elptOUE](https://drive.google.com/open?id=0B-ob6L_QjGLpSmYwaTA1elptOUE) P.S. New JN0-347 dumps PDF: [https://drive.google.com/open?id=0B-ob6L\\_QjGLpYUVOTkxMmFWLUU](https://drive.google.com/open?id=0B-ob6L_QjGLpYUVOTkxMmFWLUU)