

Real Cheap Cisco 642-996 Test Questions Help You 100% Pass From Passleader (71-80)

QUESTION 71 The classical access layer has its limitations due to high rate in which of the following? A. oversubscription B. jitter C. cost D. 10 Gigabit Ethernet links

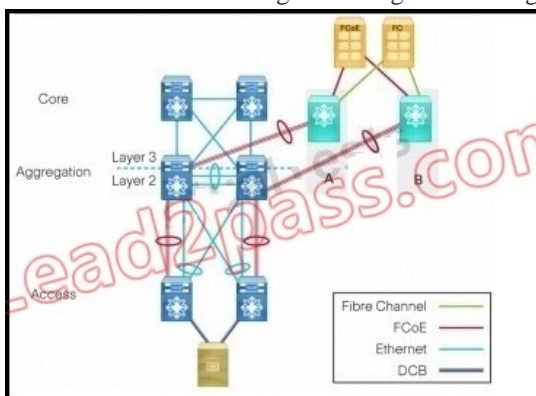
Answer: A QUESTION 72 Cisco VM-FEX technology extends Cisco Fabric Extender technology to the virtual machine that eliminates which of the following? A. The dedicated interface on the parent switch is eliminated.

B. The software-based switch in the hypervisor is eliminated. C. All virtual machine traffic is eliminated. D. The need for a physical switch is eliminated. Answer: B QUESTION 73 Which access layer technology will provide redundancy if there is a link failure on a server link? A. VDC

B. MPLS C. vPC D. OTV Answer: C QUESTION 74 Which physical data center design will reduce cabling and keep all of the cables within a rack? A. ToR design B. MoR design C. EoR design D. ILR design

Answer: A QUESTION 75 Which of the following is true with respect to Cisco Adapter FEX? A. Cisco Adapter FEX extends the Cisco FEX technology into a traditional rack servers MoR design. B. An EoR design is not permitted with Cisco Adapter FEX. C. Cisco Adapter FEX extends VDCs across multiple Cisco Nexus switches. D. A ToR design is not permitted with Cisco Adapter FEX. Answer: A

QUESTION 76 Which of the following is true with respect to Cisco Adapter FEX? A. Cisco Adapter FEX is only supported on vSwitch. B. Cisco Adapter FEX enables the server adapter to be logically partitioned into multiple vNICs. C. Cisco Adapter FEX does not provide architectural flexibility. D. Cisco Adapter FEX increases the number of cables in the data center. Answer: B QUESTION 77 Which Cisco Nexus product operates inside the VMware ESX hypervisor, and supports the Cisco VM-FEX server virtualization technology? A. 1000v B. 1010 C. 2000 D. 5500 E. 7000 Answer: A QUESTION 78 Refer to the exhibit. Customer would like to utilize Cisco Nexus7000 series switches as converged Ethernet aggregation and SAN core switch in their new data center design. The switch can be connected to a Cisco MDS 9500 Series switch in a three-tier edge-core-edge SAN design as shown in the exhibit. Which technology makes this type of design possible?



A. FC forwarding B. Multi-hop FCoE C. iSCSI gateway to increase network bandwidth D. vPC+ E. NAS gateway at the aggregation layer

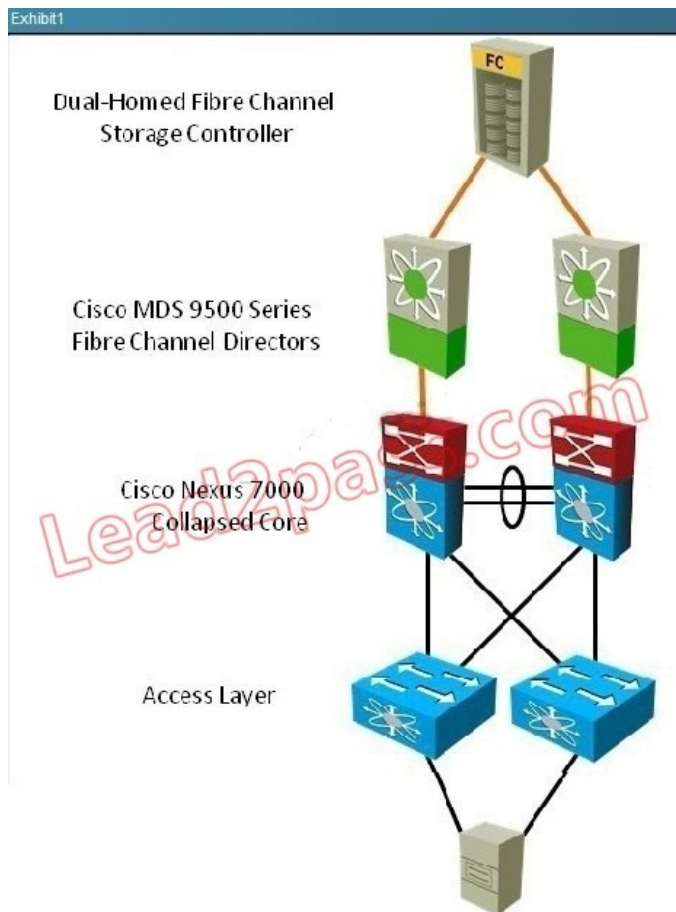
Answer: B QUESTION 79 Instructions: - THIS TASK DOES NOT REQUIRE DEVICE CONFIGURATION. - To access the multiple-choice questions, click on the numbered boxes on the left of the top panel. - There are two multiple-choice questions with this task. Be sure to answer all four questions before selecting the Next button. Scenario: Based on your knowledge of Cisco MDS 9500 Series Fibre Channel Directors and Cisco Nexus 7000 Series Data Center Switches, answer two questions on the supplied topology

Instructions

- THIS TASK DOES NOT REQUIRE DEVICE CONFIGURATION.
- To access the multiple-choice questions, click on the numbered boxes on the left of the top panel.
- There are two multiple-choice questions with this task. Be sure to answer all four questions before selecting the Next button.

Scenario

Based on your knowledge of Cisco MDS 9500 Series Fibre Channel Directors and Cisco Nexus 7000 Series Data Center Switches, answer two questions on the supplied topology.

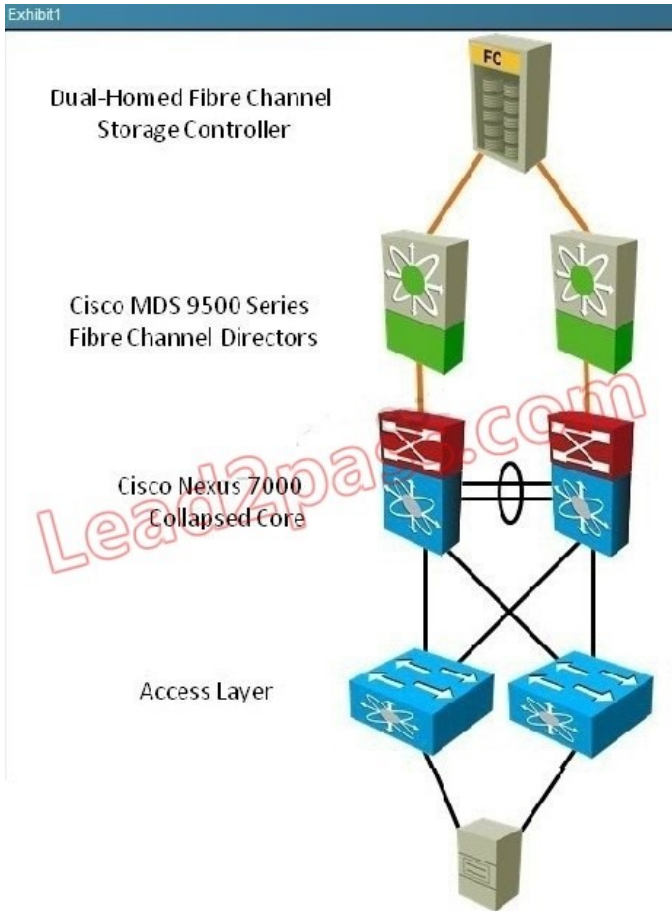


Which item represents a hardware requirement on the Cisco Nexus 7000 to terminate FCoE hosts? (Choose one.)

- A. F1 Series 10Gb Ethernet module
- B. M2 Series 10Gb Ethernet module
- C. X1 Series 10Gb Unified Fabric module
- D. C2 Series 10Gb Service module

Answer: A QUESTION 80 Instructions: - THIS TASK DOES NOT REQUIRE DEVICE CONFIGURATION. - To access the multiple-choice questions, click on the numbered boxes on the left of the top panel. - There are two multiple-choice questions with this task. Be sure to answer all four questions before selecting the Next button. Scenario: Based on your knowledge of Cisco MDS 9500 Series Fibre Channel Directors and Cisco Nexus 7000 Series Data Center Switches, answer two questions on the supplied topology

Instructions
<ul style="list-style-type: none">THIS TASK DOES NOT REQUIRE DEVICE CONFIGURATION.To access the multiple-choice questions, click on the numbered boxes on the left of the top panel.There are two multiple-choice questions with this task. Be sure to answer all four questions before selecting the Next button.
Scenario
Based on your knowledge of Cisco MDS 9500 Series Fibre Channel Directors and Cisco Nexus 7000 Series Data Center Switches, answer two questions on the supplied topology.



Which item represents a hardware requirement on the Cisco MDS 9500 Series Director to achieve Fibre Channel connectivity with the Cisco Nexus 7000 Series data center switch? (Choose one.) A. Cisco MDS 9000 Family 48-Port 8-Gbps Advanced Fibre Channel Switching Module B. Cisco MDS 9000 Family 4-Port 10-Gbps Fibre Channel Switching Module C. Cisco MDS 9000 16-Port Storage Services Node D. Cisco MDS 9000 10-Gbps 8-Port FCoE Module Answer: D Real Cheap [Cisco 642-996 Test Questions](#) Help You 100% Pass From Passleader

